

# MTX

## Peripheral Equipment Combinations



[audac.eu](http://audac.eu)

# Introduction

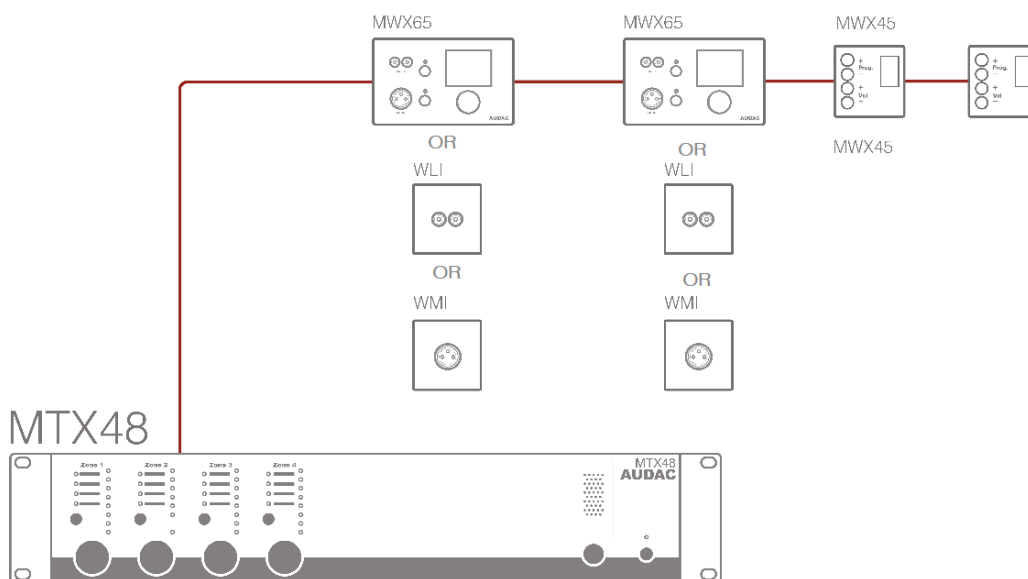
All RS485 zone input sockets on the MTX 48 and 88 have two inputs, input 7 and input 8. This document will explain how to connect Audac peripheral devices so that input 7 and input 8 can both be used.

## Note

Unlike the other inputs on the MTX (Mic1, Mic2, Input3–6) the RS485 input can only be used locally, on the corresponding zone it is connected to.

Below you will see that any combination of peripheral devices is possible:

- MWX65 MWX45
- WLI MWX45
- WMI MWX45
- MWX65 MWX65 MWX45
- MWX65 WLI MWX45
- MWX65 WMI MWX45
- WLI WLI MWX45
- WLI WMI MWX45
- WMI WMI MWX45



# Wiring of peripheral device

RS485

